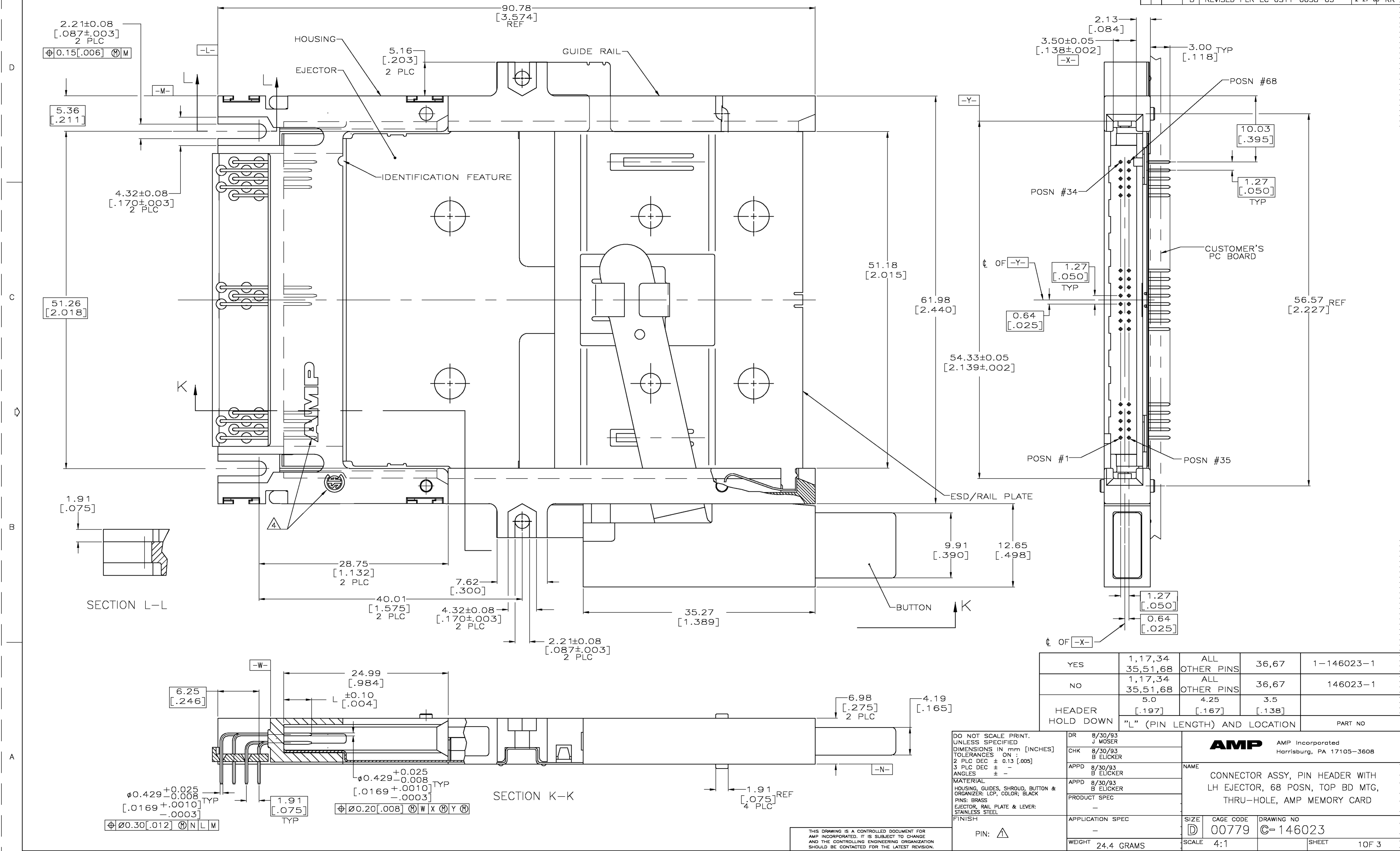
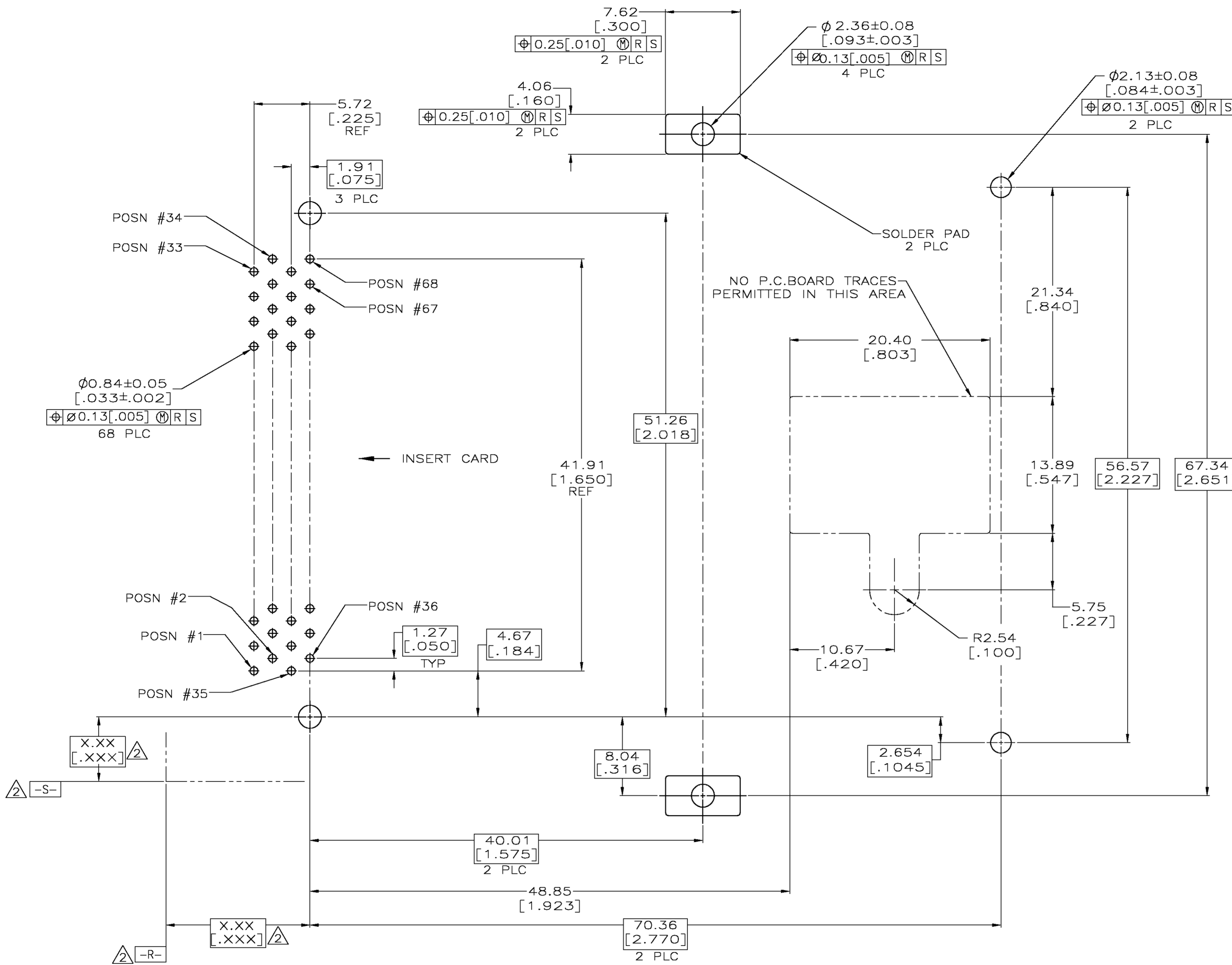


LOC		DIST		REVISIONS				
AD	00	P	F	ZONE	LTR	DESCRIPTION	DATE	APPD
				B		REVISED PER EC OS11-0038-03	2-27-03	KK



THIS DRAWING IS A CONTROLLED DOCUMENT FOR AMP INCORPORATED. IT IS SUBJECT TO CHANGE AND THE CONTROLLING ENGINEERING ORGANIZATION SHOULD BE CONTACTED FOR THE LATEST REVISION.

REVOLUTIONS					DATE	APPD
LOC	DIST	P	F	ZONE	LTR	DESCRIPTION
AD	00			B		SEE SHEET ONE



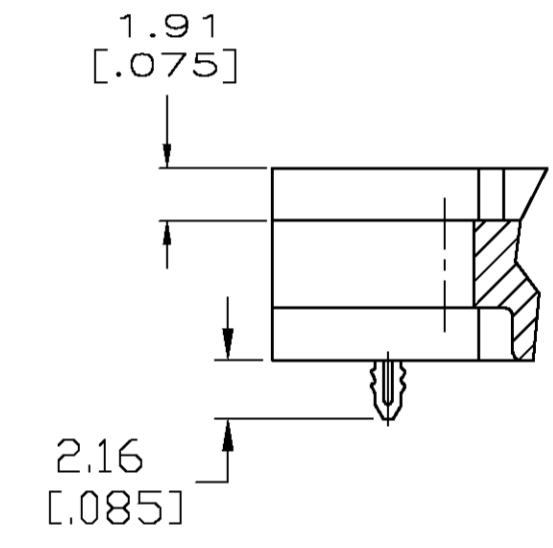
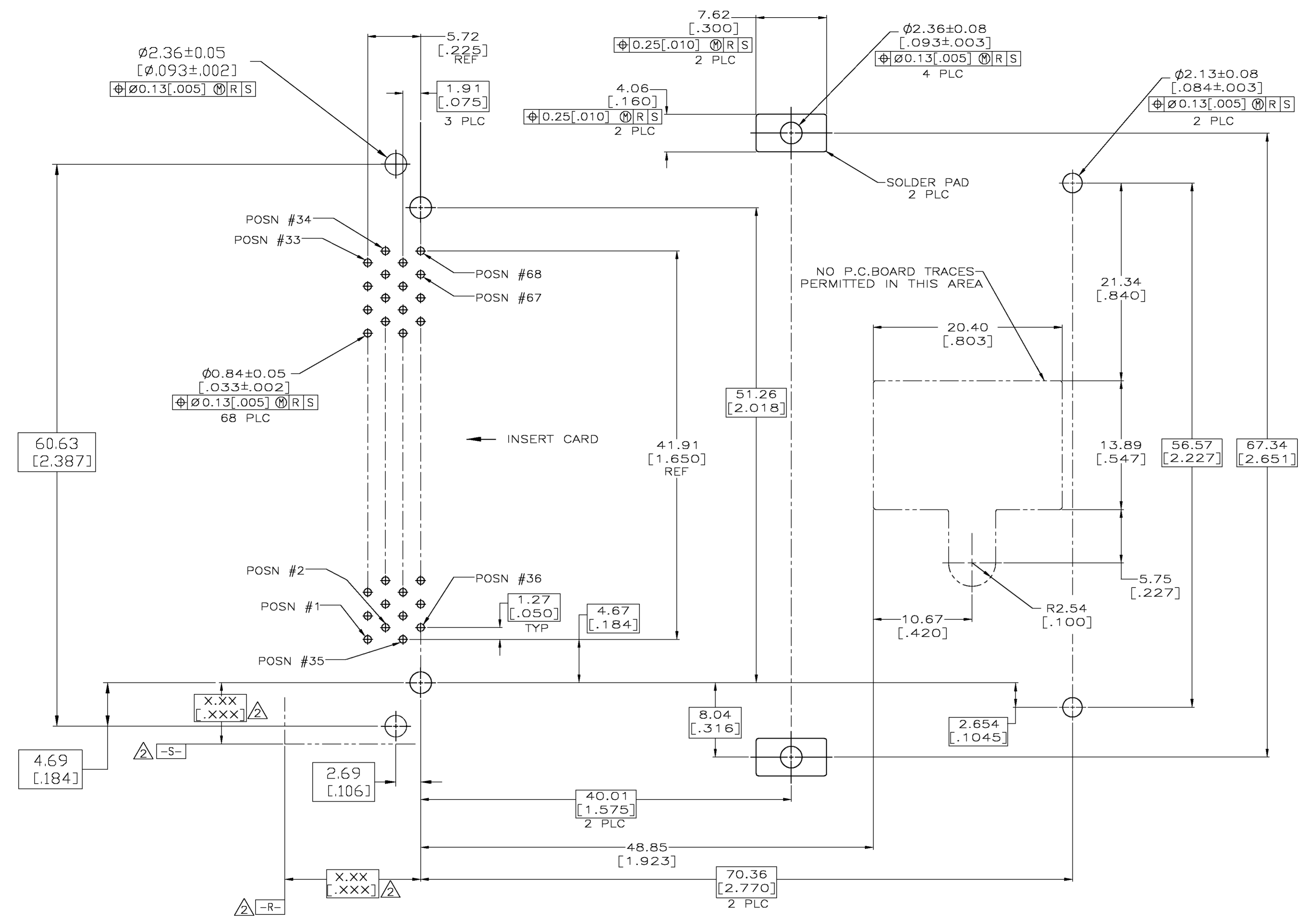
- 1. 0.00076[.000030] MINIMUM GOLD IN CONTACT AREA, 0.00381[.000150] MIN TIN-LEAD ON SOLDER TAILS, ALL OVER 0.00127[.000050] MINIMUM NICKEL
- 2. DATUMS AND BASIC DIMENSIONS ESTABLISHED BY CUSTOMER
- 3. CONNECTOR REQUIRES USE OF 4 - SIZE 2M SCREWS FOR FASTENING TO PRINTED CIRCUIT BOARD
- 4. RECESSED AMP AND CSA LOGOS LOCATED ON BOTH SIDES OF HOUSING.

RECOMMENDED BOARD LAYOUT  
 146023-1

DO NOT SCALE PRINT. UNLESS SPECIFIED DIMENSIONS IN mm [INCHES] TOLERANCES ON : 2 PLC DEC ± 0.13 [.005] 3 PLC DEC ± - ANGLES ± - MATERIAL - FINISH -	DR 8/30/93 J MOSER	<b>AMP</b> AMP Incorporated Harrisburg, PA 17105-3608		
	CHK 8/30/93 B ELICKER			NAME
	APPD 8/30/93 B ELICKER	CONNECTOR ASSY, PIN HEADER WITH LH EJECTOR, 68 POSN, TOP BD MTG, THRU-HOLE, AMP MEMORY CARD		
	APPD 8/30/93 B ELICKER	PRODUCT SPEC	SIZE D	CAGE CODE 00779
	APPLICATION SPEC	SCALE 4:1	SHEET 2 OF 3	
	WEIGHT -			

THIS DRAWING IS A CONTROLLED DOCUMENT FOR AMP INCORPORATED. IT IS SUBJECT TO CHANGE AND THE CONTROLLING ENGINEERING ORGANIZATION SHOULD BE CONTACTED FOR THE LATEST REVISION.

LOC		DIST		P		F		ZONE		LTR		REVISIONS		DATE	APPD
AD	00												SEE SHEET ONE	-	-



RECOMMENDED BOARD LAYOUT  
 1-146023-1

DO NOT SCALE PRINT. UNLESS SPECIFIED DIMENSIONS IN mm [INCHES] TOLERANCES ON : 2 PLC DEC ± 0.13 [005] 3 PLC DEC ± - ANGLES ± -		DR 8/30/93 J MOSER	PART NO		
MATERIAL	FINISH	CHK 8/30/93 B ELICKER	AMP AMP Incorporated Harrisburg, PA 17105-3608		
		APPD 8/30/93 B ELICKER	NAME		
		APPD 8/30/93 B ELICKER	CONNECTOR ASSY, PIN HEADER WITH LH EJECTOR, 68 POSN, TOP BD MTG, THRU-HOLE, AMP MEMORY CARD		
		PRODUCT SPEC	SIZE	CAGE CODE	DRAWING NO
		APPLICATION SPEC	D	00779	C= 146023
		WEIGHT	SCALE	4:1	SHEET 3 OF 3

THIS DRAWING IS A CONTROLLED DOCUMENT FOR AMP INCORPORATED. IT IS SUBJECT TO CHANGE AND THE CONTROLLING ENGINEERING ORGANIZATION SHOULD BE CONTACTED FOR THE LATEST REVISION.